

## SUPERIOR DC 900 series

Build-in manual bio-fireplace

100%  
**ORIGINAL**  
by BIOPASJA

VBSB DC 900



### SAFE CONTROL

A thoughtfully designed safety chamber offers peace of mind by providing thermal insulation and ensuring any spilled bioethanol remains safely outside the combustion area. Handy indicators make bioethanol measurement a breeze.

### ECO HEATER

Experience cleaner, more mesmerizing flames with our unique V-shaped tank and catalyst insert. Adjust the flames effortlessly with a safety-first cold handle.

### Warranty

All Bio-fireplaces undergo a thorough quality control process, which includes a leak test to ensure their safety and performance.

Manufactured and tested according European Standard EU norm EN 16647 Predicate to test report no. 3515 A1 21

*Note: All calculations and figures presented are based on controlled testing and should be considered as theoretical*

Discover a Fireplace that Offers Six Unique Configurations.

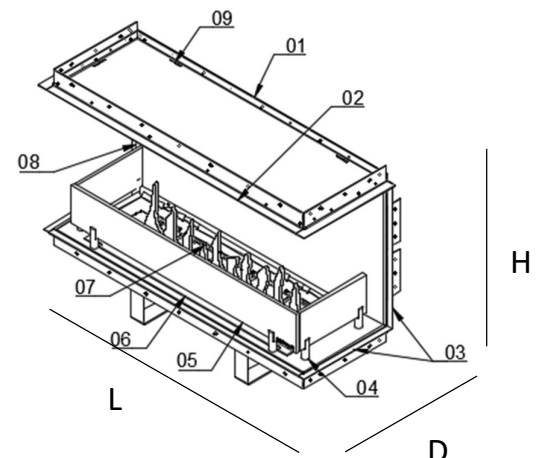
Introducing Biopasja's **SUPERIOR** Series: The Peak of Bio-fireplace Innovation. Immerse yourself in an exceptional world of luxury and adaptability with the **SUPERIOR** Bio-fireplace from Biopasja. It's not just a fireplace; it's a versatile design element that effortlessly blends with your interior preferences.

**Three-Sided** Radiance: Crafted for classic style enthusiasts, our three-sided placement delivers concentrated warmth, infusing your space with a touch of timeless elegance. Built with premium 2mm steel and a sleek black powder-coated finish, it offers easy installation, crystal-clear viewing through 10mm Optiwhite glass, and a choice of Artflame 700 burner or Dimplex vapor unit. Elevate your space with optional features like a log set tray and a 6mm black reflecting glass. Enjoy the perfect blend of style and warmth with this exceptional bio-fireplace.

MODEL	FRONT SIDED
Dimensions without profile edges in mm (L x D* x H) D+ 10 mm upper heat deflector edge - *D: 310mm (D+10) + 18 mm surrounding mounting edges - *D: 328mm	900x300x494 + 10mm + 18mm
Burner options: A - Artflame 700 black B - Dimplex water vapor unit	A & B
A - Artflame burner tank capacity B - Dimplex water reservoir	A - 2,8L B - 1,3L
(ARTFLAME) Flame control	Manual stainless cold handle
(ARTFLAME) Amount of ethanol combusted at maximum opening /hour	0.46 L/h
(ARTFLAME) Maximum heat at maximum opening/hour kW/h or BTU/h	2,7 kW/h or 9100 BTU/h
(ARTFLAME) Net weight without bioethanol	14,0 kg
(ARTFLAME) Required air venting grid, in cm <sup>2</sup> (100cm <sup>2</sup> x 2,7 kW)	270 cm <sup>2</sup>
(ARTFLAME) Operating airflow rate, factor 99.4 Nm <sup>3</sup> /h / 0.1L/h	45,7 Nm <sup>3</sup> /h/0,46L/h*
Minimal room size m <sup>3</sup> (desired temp. increase with 5°C) & heating area capacity 0,1kW per 1m <sup>2</sup> for well-insulated space	54 m <sup>3</sup> & 27m <sup>2</sup>

\* Nm<sup>3</sup> stands for m<sup>3</sup> of gas in normal conditions (101235 Pa) The value includes the moisture content of ambient air 50% relative humidity Rh

1. Superior bio-fireplace made of DC01, 2mm steel, powder coated rough black (RAL9005).
2. Upper heat deflector edge profile + 10mm front (28mm)
3. Surrounding mounting edge profile + 18mm front.
4. Glass holder Easy-simple slider Pro U04.
5. Transparent tempered Optiwhite glass 10mm.
6. BURNER: Artflame 700 burner or Dimplex vapor unit.
7. OPTIONAL log set tray.
8. OPTIONAL vertical 6mm reflecting stove painted wall glass panel.
9. Cut out for support vertical reflecting glass wall panel.



INDUSTRIAL  
DESIGN



EASY  
ASSEMBLY



FUEL  
EFFICIENCY



FLAME  
CONTROL



SECURE COMBUSTION  
CHAMBER