

BIOBOX Front model



BIOsteelBOX

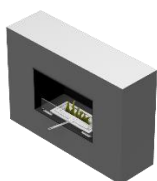


BIOaluBOX

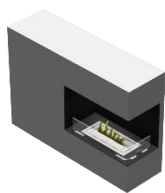
Sophisticated elegance of the BIOBOX front-facing bio-fireplace. Featuring a sleek matt black finish and a luxurious manual ARTFLAME burner, this fireplace serves as a stunning centrepiece of the room. The floating glass screen adds an enchanting touch, enhancing the visual appeal of any room. With a casing available in either powder-coated black steel or aluminium and various customizable features, the BIOBOX bio-fireplace can be tailored to perfectly reflect your unique style and seamlessly fit your space.

BIOBOX technical data

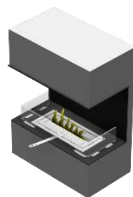
Front model	700	800	900	1000	1100	1200	1300	1400	1500
Dimensions in mm (L x D x H)	700 x 450 x 350	800 x 450 x 350	900 x 450 x 350	1000 x 450 x 350	1100 x 450 x 350	1200 x 450 x 350	1300 x 450 x 350	1400 x 450 x 350	1500 x 450 x 350
Artflame burner size	400	500	600	700	800	900	1000	1100	1200
Burner tank size	1,6L	2,0L	2,4L	2,8L	3,2L	3,6L	4,0L	4,4L	4,8L
Fuel efficiency in hours	<6 h	<6h	<6h	<6h	<6h	<6h	<6h	<6h	<6h
Amount of ethanol combusted at maximum opening /hour	0,26L/h	0,33L/h	0,40L/h	0,46L/h	0,53L/h	0,60L/h	0,66L/h	0,73L/h	0,80L/h
Maximum heat at maximum opening /hour	2.0kW/h	2,5kW/h		3.6kW/h	4,1kW/h	4,6kW/h	5,1kW/h	5.7kW/h	6,2kW/h
Net weight without bioethanol	10,0 kg	11,0 kg	12,0 kg	14,0 kg	16,0 kg	18,0 kg	20,0 kg	22,0 kg	24,0 kg



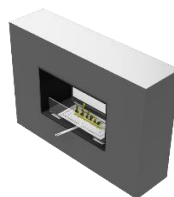
FRONT



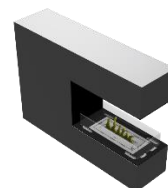
LEFT/RIGHT CORNER



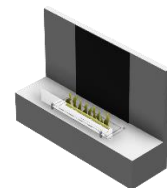
DOUBLE CORNER



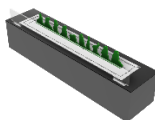
DOUBLE FRONT



ROOM DIVIDER



PRL



ISLAND



EASY ASSEMBLY



INDUSTRIAL DESIGN



FLAME CONTROL

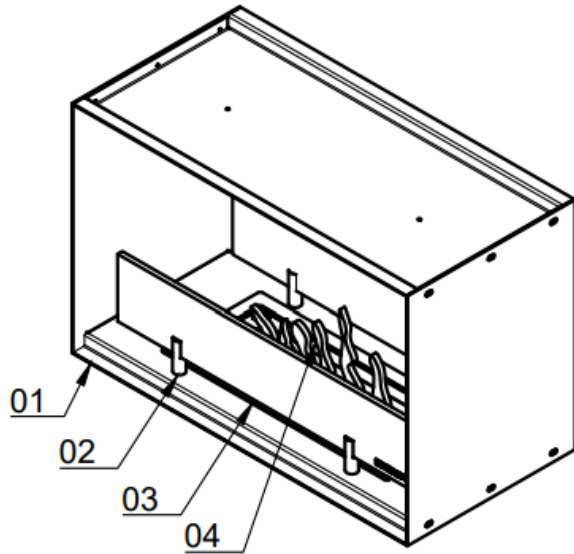


FUEL EFFICIENCY



SECURE COMBUSTION CHAMBER

BiosteelBOX Front model drawing



Burner color

- Enamel coated black
- Stainless steel

Frame color

- Powder coated black
- Custom color from the RAL palette

Glass holder

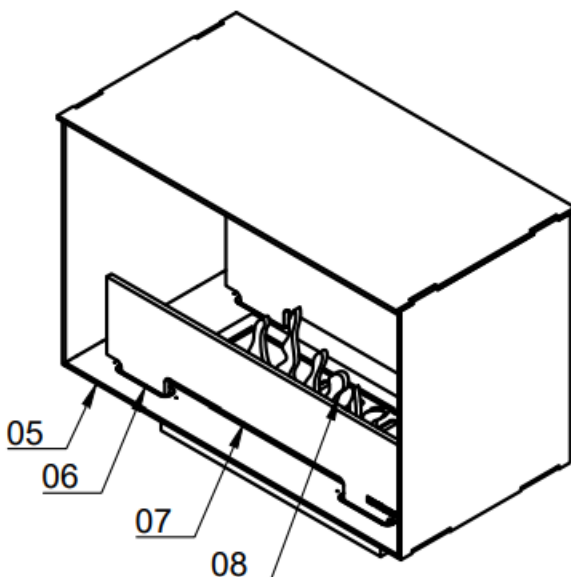
- Easy simple slider pro

Features

- Log set tray
- Reflecting glass

1. **Frame:** BiosteelBOX Front model frame made out of 2mm sheet metal which is powder coated rough black (RAL 9005), optional to coating in any RAL palette colour
2. **Glass holder:** The BiosteelBOX is equipped with our easy-simple slider
3. **Glass:** 10mm transparent, tempered Optiwhite glass
4. **Burner:** Manual burner Artflame is available in 9 sizes ranging from 400 to 1200mm by width

BioaluBOX Front model drawing



Burner color

- Enamel coated black
- Stainless steel

Frame color

- Powder coated black
- Custom color from the RAL palette

Glass holder

- Easy simple slider pro
- Concealed latches NEO pro
- Quarter turn hinge
- Multipoint fastner

Features

- Log set tray
- Reflecting glass

5. **Frame:** BioaluBOX Front model features a seamless frame made out of 6 mm aluminium which is powder coated rough black (RAL 9005), optional coating in any RAL palette colour.
6. **Glass holder:** The BioaluBOX comes with several glass holder options: Easy simple slider pro, Concealed latches, Quarter turn hinge and multi point fastener (for more information please see our glass holder leaflet)
7. **Glass:** 10mm transparent, tempered Optiwhite glass
8. **Burner:** Manual burner Artflame is available in 9 sizes ranging from 400 to 1200mm by width